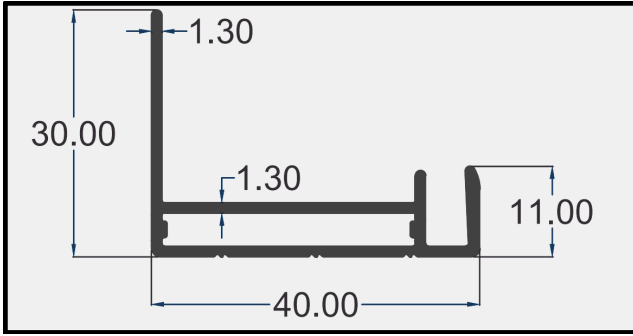


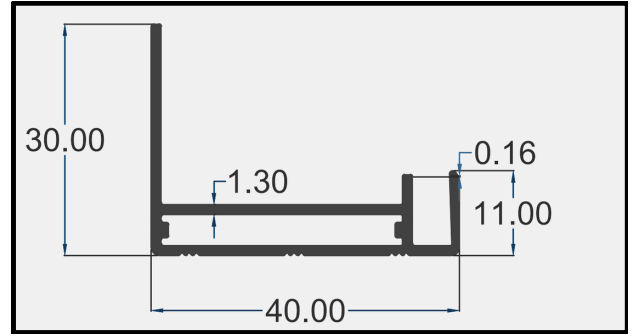


MAHESHWARI CO.

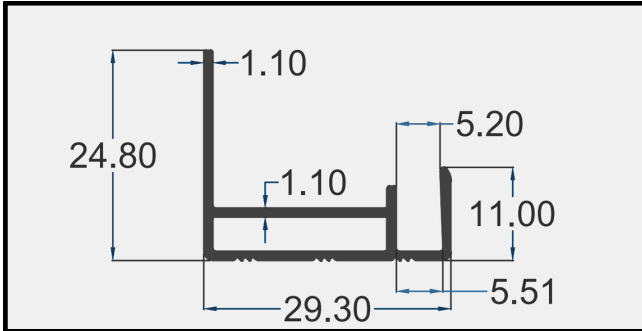
SOLAR FRAMES



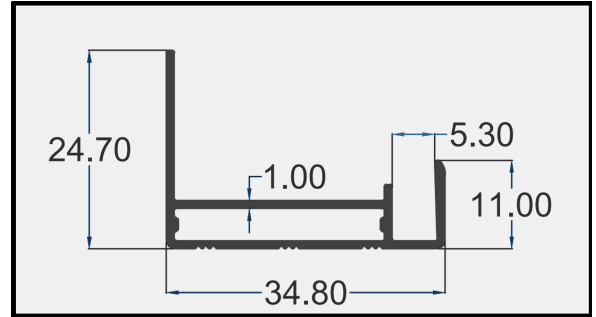
SECTION NO	MA1108
WEIGHT	1.55-1.76KG(12')



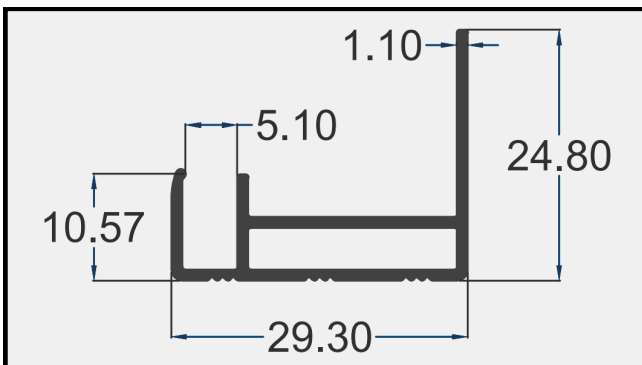
SECTION NO	MA1109
WEIGHT	1.52-1.76KG(12')



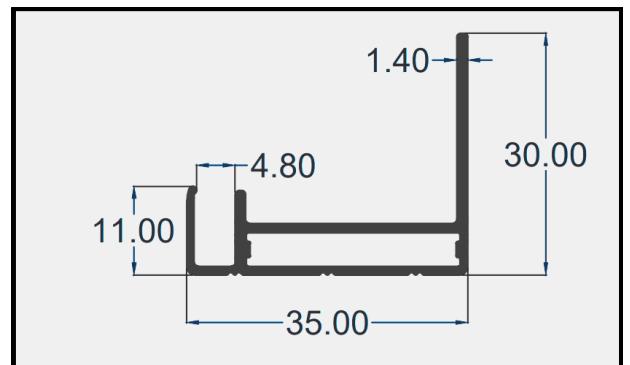
SECTION NO	MA1110
WEIGHT	0.97-1.12KG(12')



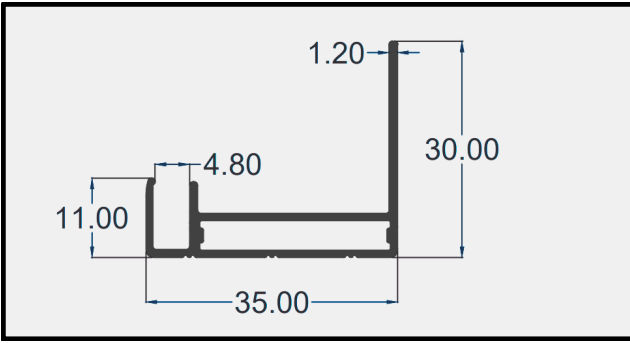
SECTION NO	MA1111
WEIGHT	1.0-1.23KG(12')



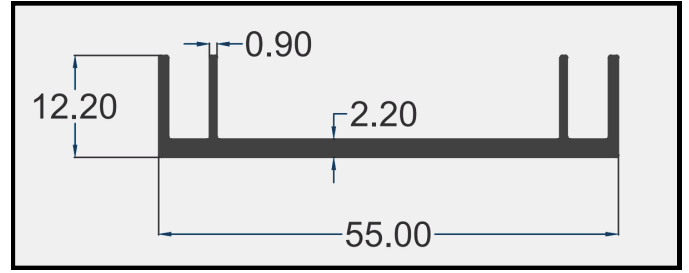
SECTION NO	MA1112
WEIGHT	0.98-1.15KG(12')



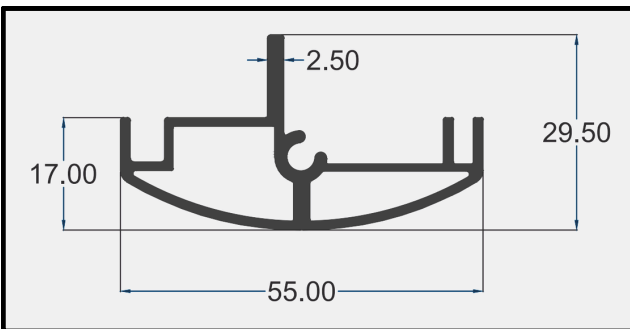
SECTION NO	MA1113
WEIGHT	1.3-1.53KG(12')



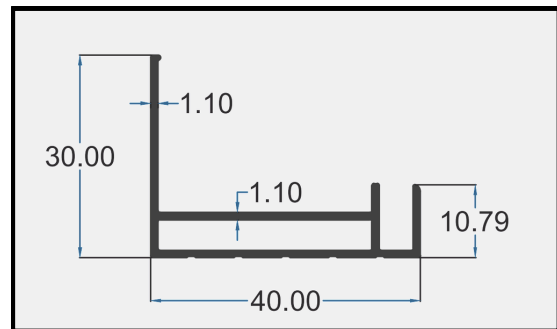
SECTION NO	MA1114
WEIGHT	1.15-1.36KG(12')



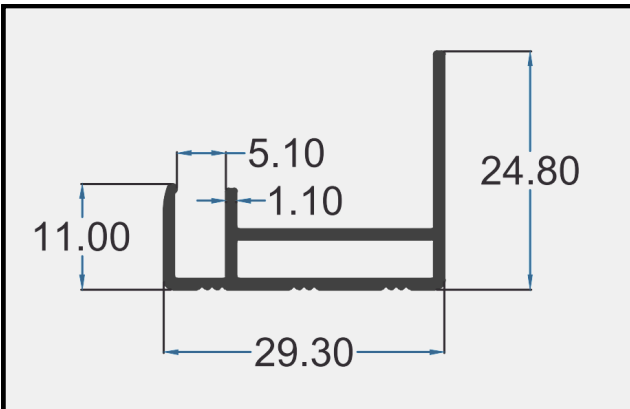
SECTION NO	MA1115
WEIGHT	1.65-1.86KG(12')



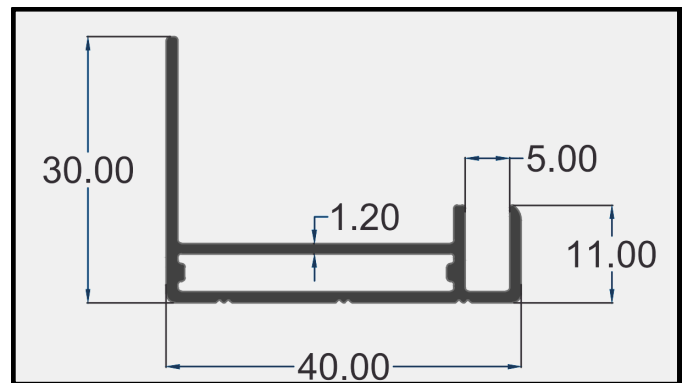
SECTION NO	MA1116
WEIGHT	2.46-2.66KG(12')



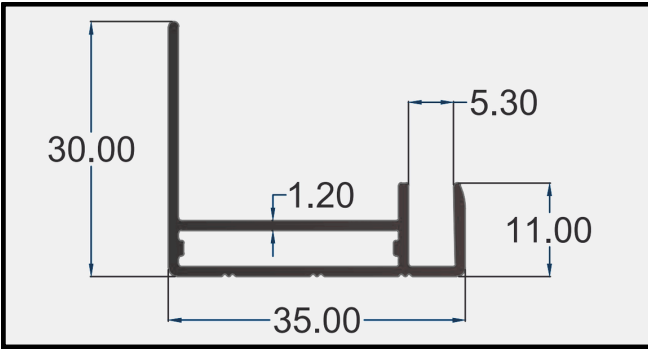
SECTION NO	MA1121
WEIGHT	1.29-1.48KG(12')



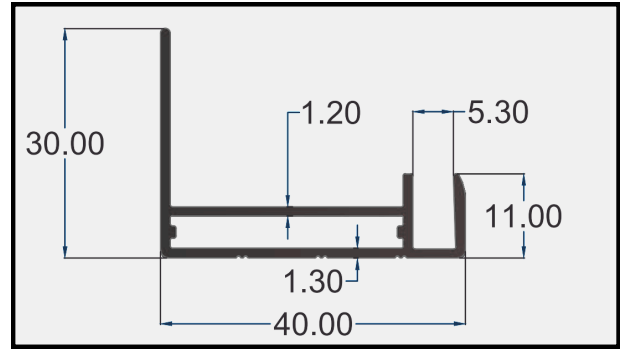
SECTION NO	MA1124
WEIGHT	0.99-1.15KG(12')



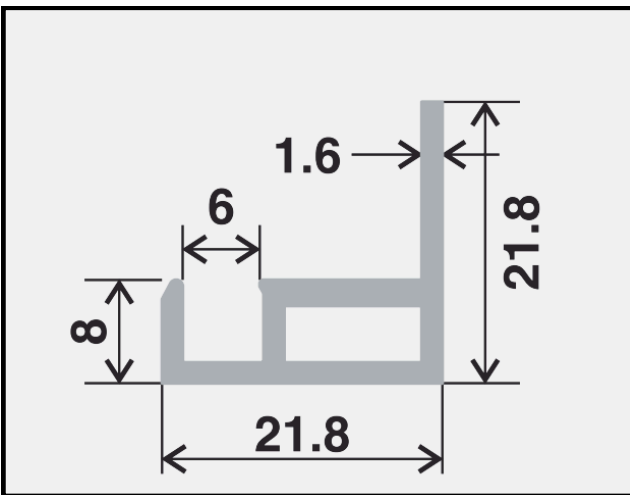
SECTION NO	MA1126
WEIGHT	1.515-1.715KG(12')



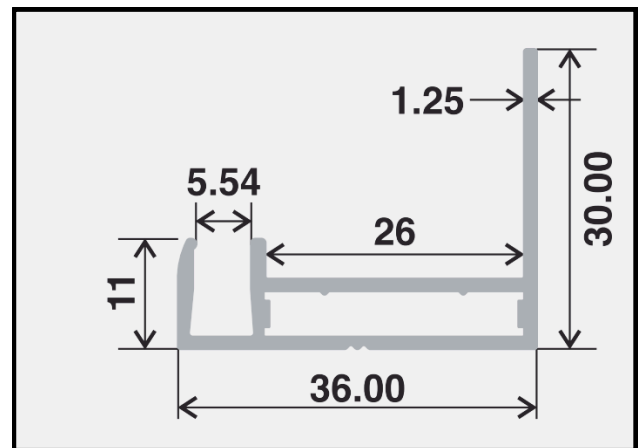
SECTION NO	MA1127
WEIGHT	1.307-1.5KG(12')



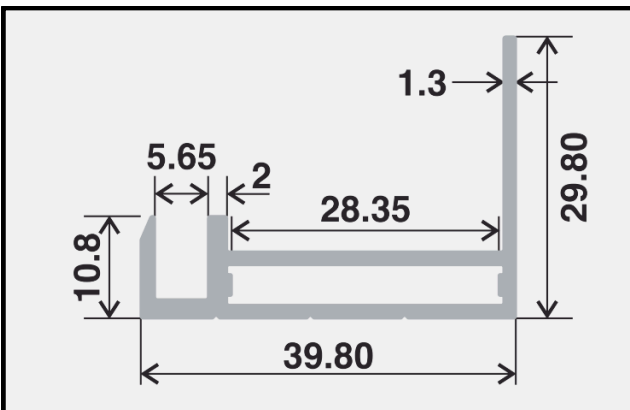
SECTION NO	MA1128
WEIGHT	1.5-1.7KG(12')



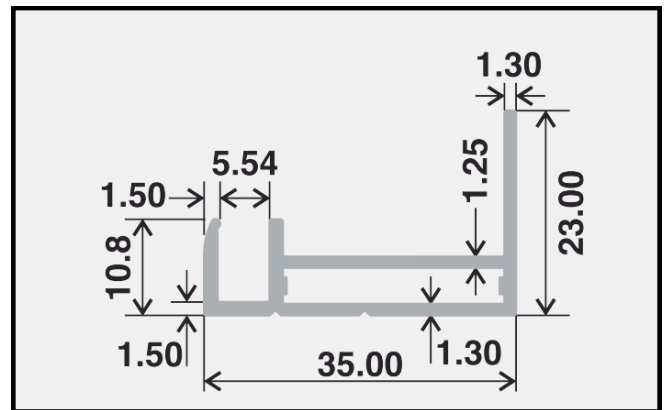
SECTION NO	MV1100
WEIGHT	1.05-1.25KG(12')



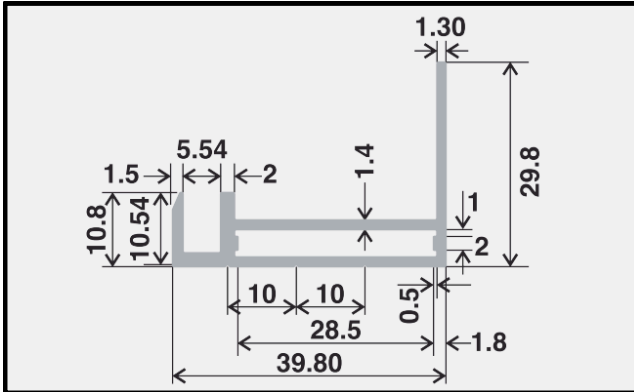
SECTION NO	MV1105
WEIGHT	1.35-1.55KG(12')



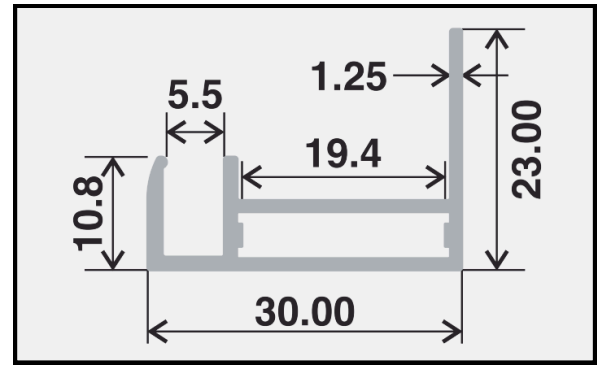
SECTION NO	MV1110
WEIGHT	1.65-1.8KG(12')



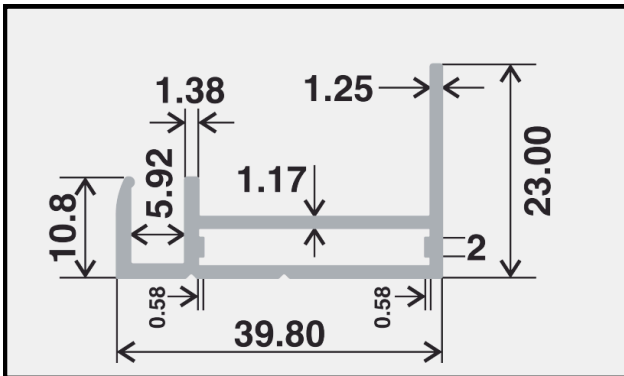
SECTION NO	MV1115
WEIGHT	1.45-1.6KG(12')



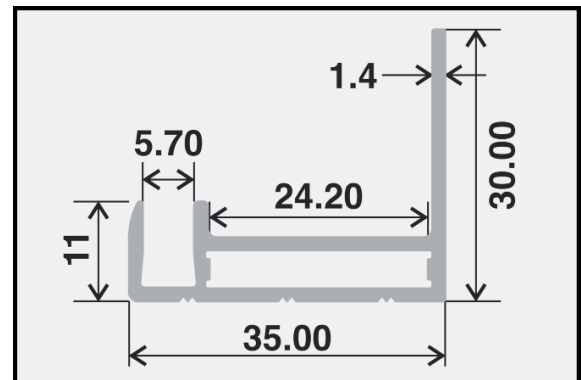
SECTION NO	MV1120
WEIGHT	1.65-1.8KG(12')



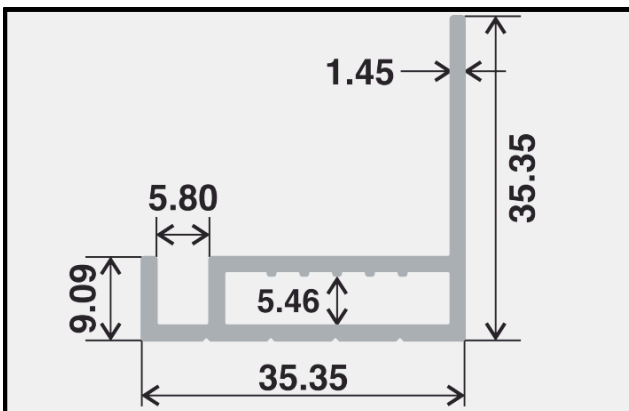
SECTION NO	MV1125
WEIGHT	1.1-1.25KG(12')



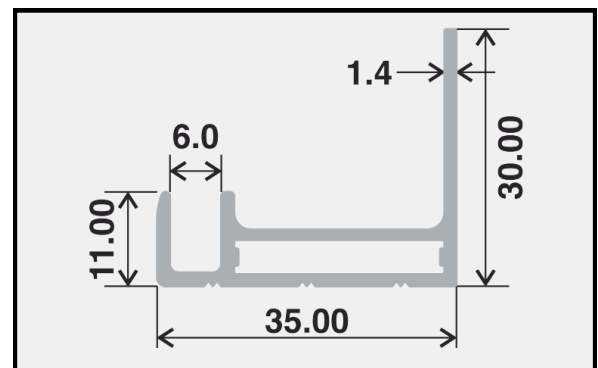
SECTION NO	MV1130
WEIGHT	1.3-1.45KG(12')



SECTION NO	MV1135
WEIGHT	1.45-1.65KG(12')



SECTION NO	MV1140
WEIGHT	1.55-1.7KG(12')



SECTION NO	MV1145
WEIGHT	1.45-1.6KG(12')

CONTACT US

Maheshwari Co

Office - 5/2, Rajnigandha Building.
D.B. Gupta Road, Paharganj, New Delhi-110055
Phone : +91-9891300031 ,
Email : bkbhuraria@hotmail.com